



**MANUFACTURERS OF QUALITY  
SPORT AND INDUSTRIAL NETS  
SINCE 1934**

# CARRON NET COMPANY, INC.

Post Office Box 177  
Two Rivers, Wisconsin 54241-0177  
Phone 920-793-2217 • Fax 920-793-2122  
1-800-558-7768 • sales@carronnet.com  
www.carronnet.com

## OUTDOOR BATTING CAGE STEEL FRAME STOCK #61505

### List of Materials

| Piece # | Part #  | Description                        | QTY |
|---------|---------|------------------------------------|-----|
| 1       |         | Upright w/ winch                   | 2   |
| 2       |         | Upright w/out winch                | 2   |
| 3       | BCGCXB1 | Crossbar                           | 2   |
| 4       | 05425   | Cable Assembly 3/16" dia X 90      | 2   |
| 5       | 05412   | Guy Cable Assembly                 | 4   |
| 6       | HM218   | Nipper Clamp 3/16"                 | 4   |
| 7       | SF180   | 2" Elbow Fitting                   | 4   |
| 9       | SF179   | 2" 45 degree Fitting               | 4   |
| 10      | BCGCXB2 | Diagonal Support                   | 2   |
| 11      |         | Winch Handle                       | 2   |
| 12      | GSA190  | Upright Ground Sleeves             | 4   |
| 13      | HM5019  | Snap Hook 3/8" X 4"                | 4   |
| 14      | AF845A  | 3-Piece Cap                        | 4   |
| 15      | EC0003  | Plastic Bottom Cap                 | 4   |
| 16      | HM695   | Winch                              | 2   |
| 17      | HS1616  | Hex Head Cap Screw 3/8-16 x 2 3/4" | 4   |
| 18      | HW2047  | 3/8" Flat Washer                   | 4   |
| 19      | HN265   | Locknut 3/8"-16                    | 4   |
| 20      | AF2013  | 5/16" Lock Washer                  | 6   |
| 21      | HM251   | 3/16" Thimble                      | 4   |
| 22      | HN807   | Hex Nut 5/16-18                    | 6   |
| 23      | RP4048  | Black Oval Snap                    | 98  |
| 24      | HS278   | Hex Head 1/4"-20 x 1 1/4"          | 2   |
| 25      | BBC-270 | Cage                               | 1   |
| 26      |         | Utility Cord 1/8" dia x 12'6"      | 2   |
| 28      | HN256   | Locknut 1/4" – 20                  | 2   |
| 29      | AF737   | Aluminum Sheave                    | 2   |
| 31      |         | Link Cable Tie Off                 | 4   |
| 32      |         | Corner Ties 1/8" x 86"             | 8   |
| 33      | GSA19   | Ground Anchor Sleeve Assembly      | 4   |

PLEASE NOTE

- 1) FOR SAFE OPERATION AND CONTINUED HIGH PERFORMANCE FROM THIS EQUIPMENT, INSPECTION AND MAINTENANCE MUST BE PERFORMED BEFORE EACH USE.
- 2) USE OF THIS EQUIPMENT OTHER THAN INTENDED, MAY BE HAZARDOUS.
- 3) ALTERATION OR MODIFICATION OF EQUIPMENT MAY BE HAZARDOUS. FOR REPAIR OR REPLACEMENT, PLEASE CALL YOUR DEALER.

| REV. LET. | DESCRIPTION |
|-----------|-------------|
|-----------|-------------|

STOCK #61505  
 OUTDOOR STEEL  
 BATTING CAGE FRAME

SEE GROUND ANCHOR DETAIL

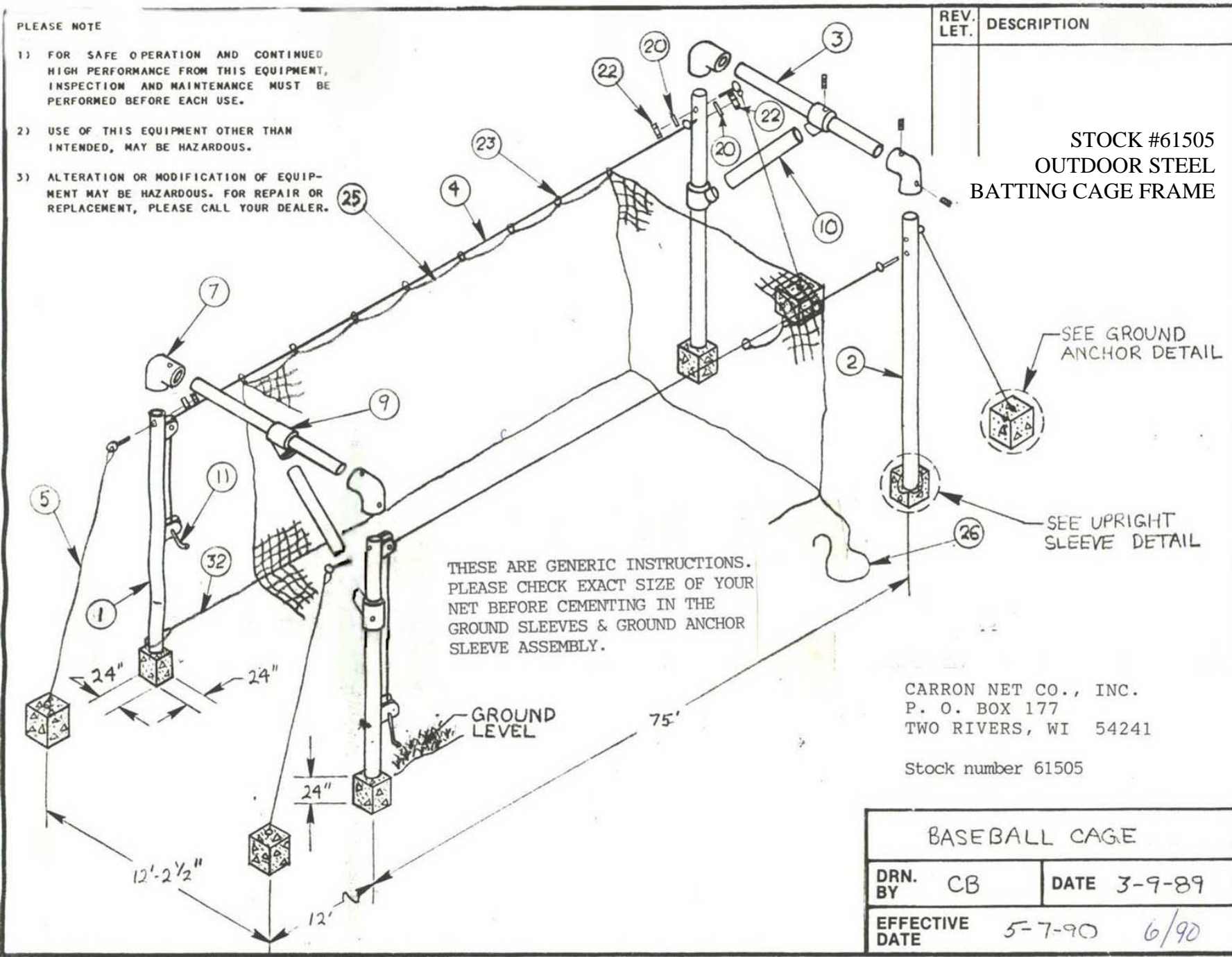
SEE UPRIGHT SLEEVE DETAIL

THESE ARE GENERIC INSTRUCTIONS. PLEASE CHECK EXACT SIZE OF YOUR NET BEFORE CEMENTING IN THE GROUND SLEEVES & GROUND ANCHOR SLEEVE ASSEMBLY.

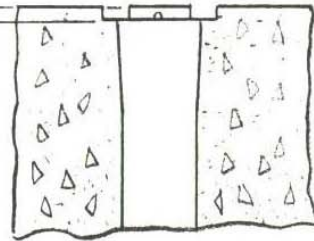
CARRON NET CO., INC.  
 P. O. BOX 177  
 TWO RIVERS, WI 54241

Stock number 61505

|                |        |             |
|----------------|--------|-------------|
| BASEBALL CAGE  |        |             |
| DRN. BY        | CB     | DATE 3-9-89 |
| EFFECTIVE DATE | 5-7-90 | 6/90        |

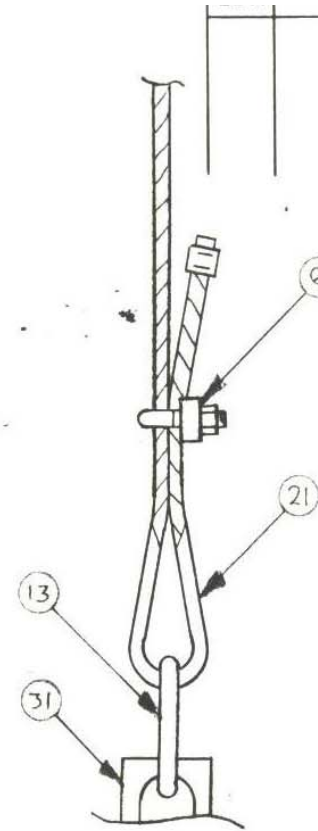
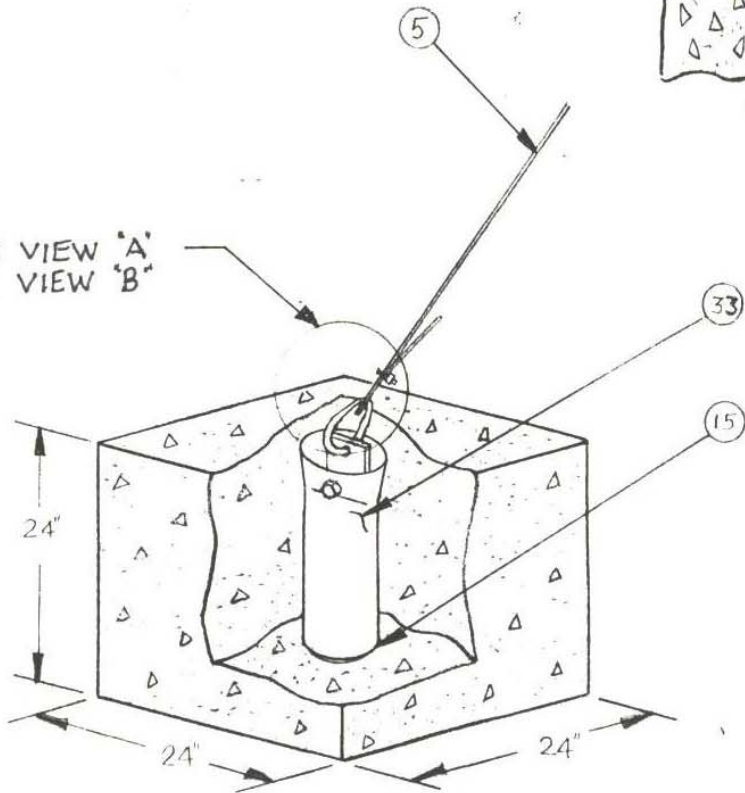


RECESS FOOTING  $\frac{1}{4}$   
 FOR SLEEVE  
 MAKE SURE PERIMETER  
 OF RECESS IS LARGE  
 TO ACCOMMODATE EASY  
 INSTALLATION



VIEW 'B'

SEE VIEW 'A'  
 AND VIEW 'B'

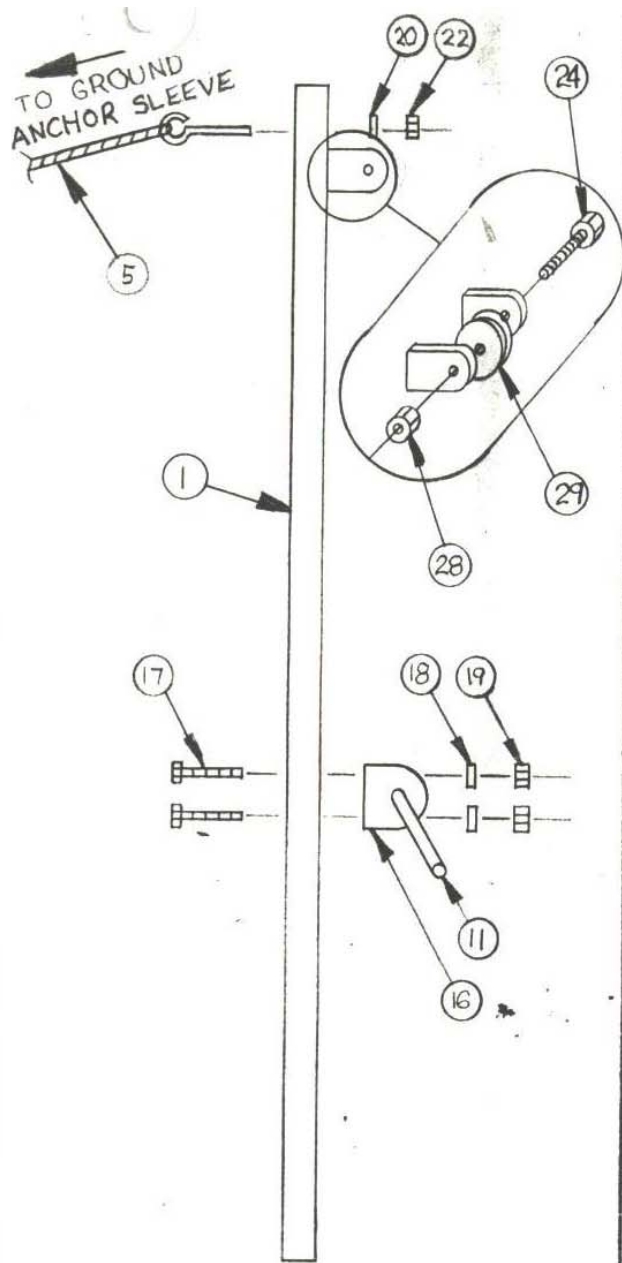


VIEW 'A'

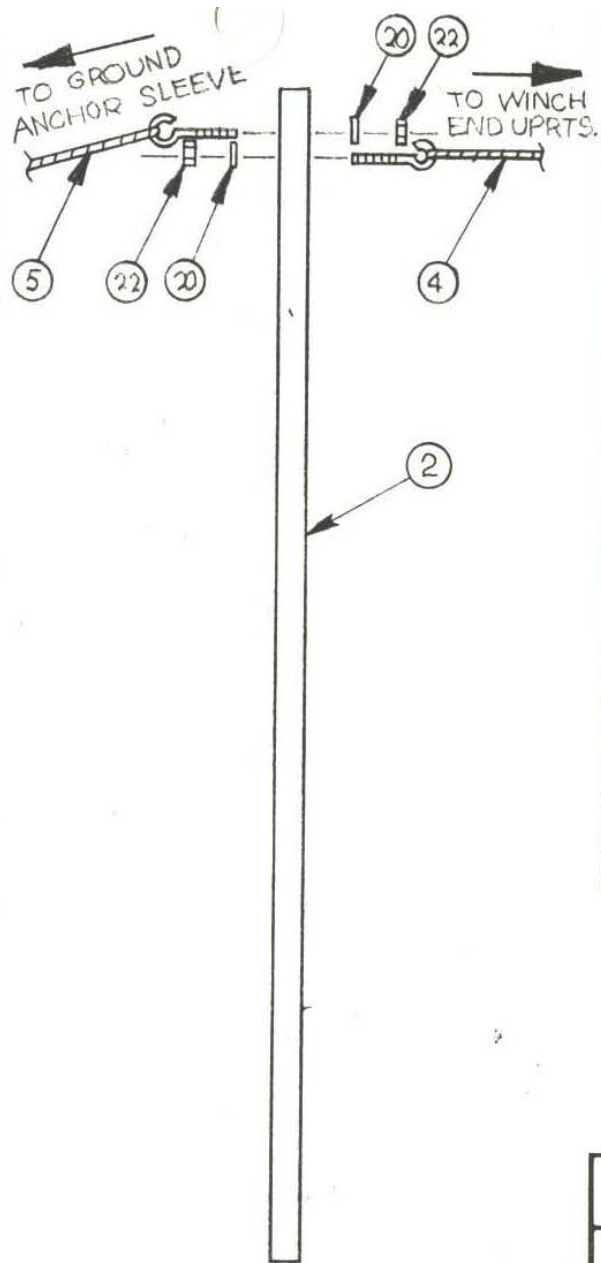
CARRON NET CO., INC.  
 P. O. BOX 177  
 TWO RIVERS, WI 54241

Stock number 61505

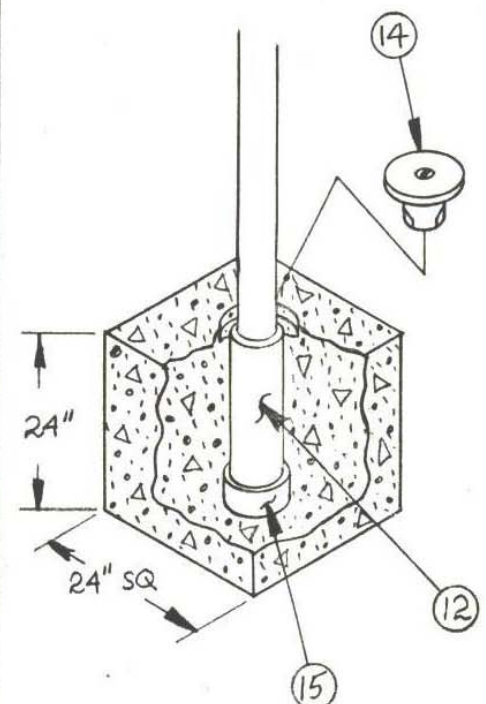
|                      |             |
|----------------------|-------------|
| GROUND ANCHOR DETAIL |             |
| DRN. BY CB           | DATE 3-9-87 |
| EFFECTIVE DATE       | 5-7-90      |



UPRIGHT WITH WINCH



UPRIGHT WITHOUT WINCH



UPRIGHT SLEEVE DETAIL

CARRON NET CO., INC.  
 P. O. BOX 177  
 TWO RIVERS, WI 54241  
 Stock number 61505

|   |             |
|---|-------------|
| UPRIGHT DETAIL AND<br>UPRIGHT SLEEVE DETAIL |             |
| DRN.<br>BY CB                               | DATE 5-7-90 |
| EFFECTIVE<br>DATE                           | 5-7-90      |



**MANUFACTURERS OF QUALITY  
SPORT AND INDUSTRIAL NETS  
SINCE 1934**

# CARRON NET COMPANY, INC.

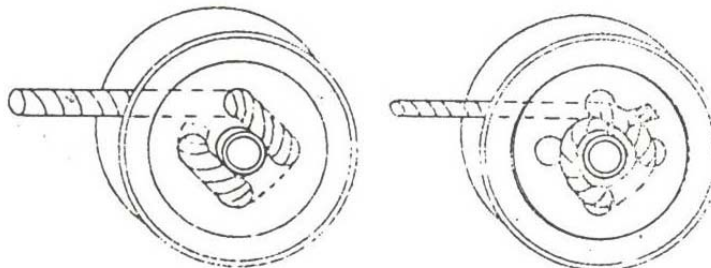
Post Office Box 177  
Two Rivers, Wisconsin 54241-0177  
Phone 920-793-2217 • Fax 920-793-2122  
1-800-558-7768 • sales@carronnet.com  
www.carronnet.com

## Attaching Rope to Winch Drum IMPROVED METHOD

### BBC-SERIES

- Step 1. Set frame sections as per prints and secure guy cable keeping uprights plum. See "line drawing".
- Step 2. Thread cables through pulley block and secure to winch, using directions enclosed.
- Step 3. Hang nylon cage from underside of cables using snap links placed through grommets and snap over cables.
- Step 4. Tie corner control cords on all eight corners and attach to uprights, leave approximately 2' - 6" between end of cage and frame uprights.
- Step 5. When cage is to be used for baseball, corners are to be laced closed.
- Step 6. When using for golf, front flap is unlaced and pulled back over top of cables and attached to rear cable. Where structural condition exists, front flap can be pulled up using utility cord enclosed.

The new improved method of attaching rope to winch drum is much faster and more secure. Requires no bolts, nuts or rope keeper. See illustration below of two ways of threading rope through holes in drum side.



Heavy Line

Light Line

TWO WAYS OF SECURING LINE TO DRUM SIDE