



**MANUFACTURERS OF QUALITY
SPORT AND INDUSTRIAL NETS
SINCE 1934**

CARRON NET COMPANY, INC.

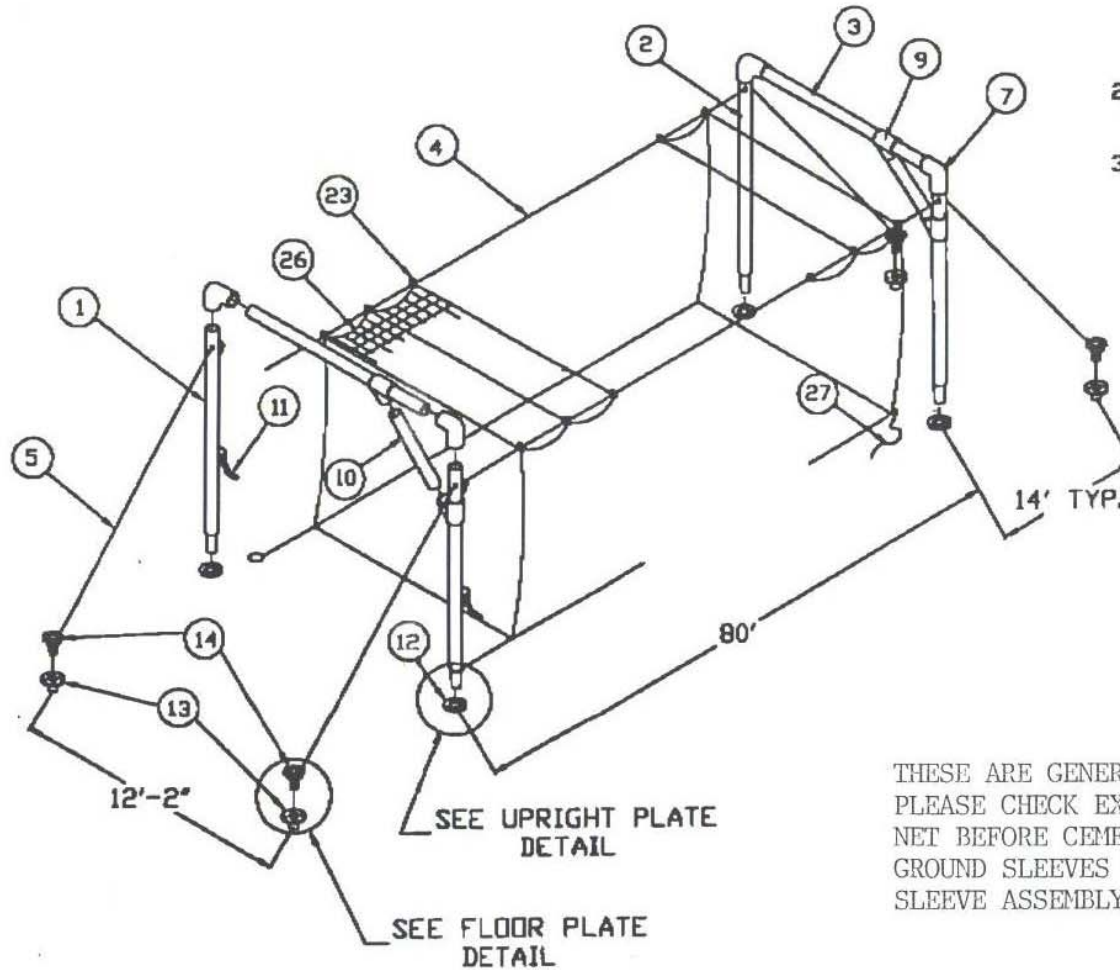
Post Office Box 177
Two Rivers, Wisconsin 54241-0177
Phone 920-793-2217 • Fax 920-793-2122
1-800-558-7768 • sales@carronnet.com
www.carronnet.com

INDOOR BATTING CAGE STEEL FRAME STOCK #61503

List of Materials –

Piece #	Part #	Description	QTY
1	BCGC301	Winch End Post	2
2	BCGC302	Anchor End Post	2
3	BCGCXB1	Crossbar X 12'	2
4	05425	3/16" dia X 90" Cable Assembly	2
5	05412	Guy Cable Assembly	4
6	HM218	3/16" Nipper Clamp	4
7	SF180	2" Elbow Fitting	4
8	AF737	Aluminum Sheave	2
9	SF179	2" 45 degree Fitting	4
10	BCGCXB2	Diagonal Support	2
11		Winch Handle	2
12	FP-1A	Upright Floor Plate	4
13	FP-50	Anchor Floor Plate	4
14	05591	Anchor Hand Knob	4
15	HS314	#14 x 1 1/2" Wood Screws	28
16	HM5097	1/4" x 2" Steel Flt HD Sleeve Anchor	16
17	HM695	Winch	2
18	HS1616	3/8" – 16 x 2 3/4" Hex HD Cap Screw	4
19	HN265	3/8" 16 Locknut	4
20	HW2047	3/8" Flat Washer	4
21	AF2013	5/16" Lock Washer	6
22	HM251	3/16" Thimble	4
23	RP4048	Black Oval Snap	98
24	HS278	1/4" – 20 x 1 1/4" Hex HD	2
25	HN807	5/16" 18 Hex Nut	6
26	BBC-370	Cage	1
27		1/8" X 86" Corner Ties	8
28	HN256	1/4" 20 Locknut	2
29	HM248	1 1/2" Lead Anchor	12

STOCK #61503
INDOOR BATTING CAGE



PLEASE NOTE:

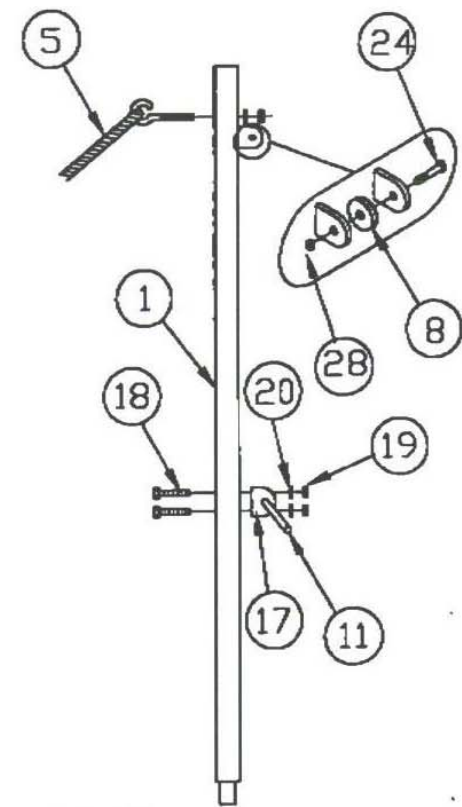
- 1) FOR SAFE OPERATION AND CONTINUED HIGH PERFORMANCE FROM THIS EQUIPMENT, INSPECTION AND MAINTENANCE MUST BE PERFORMED BEFORE EACH USE.
- 2) USE OF THIS EQUIPMENT OTHER THAN INTENDED, MAY BE HAZARDOUS.
- 3) ALTERATION OR MODIFICATION OF EQUIPMENT MAY BE HAZARDOUS. FOR REPAIR OR REPLACEMENT, PLEASE CALL YOUR DEALER.

THESE ARE GENERIC INSTRUCTIONS. PLEASE CHECK EXACT SIZE OF YOUR NET BEFORE CEMENTING IN THE GROUND SLEEVES & GROUND ANCHOR SLEEVE ASSEMBLY.

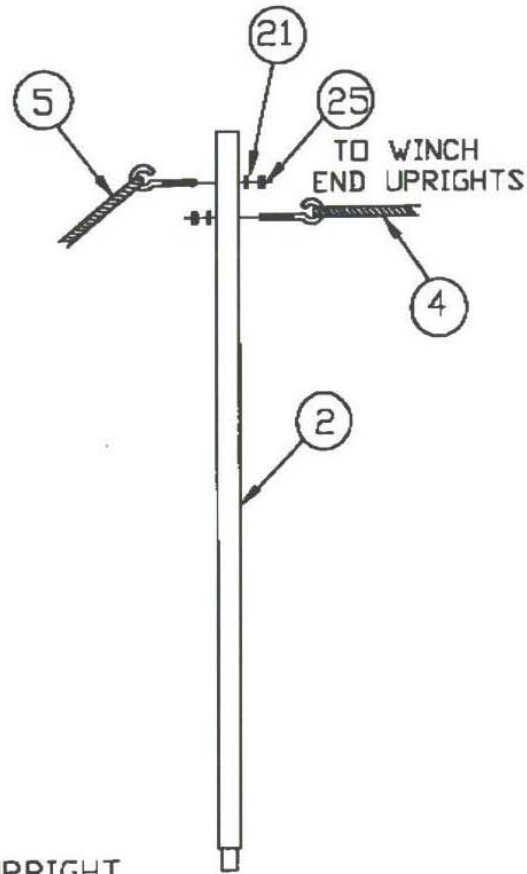
CARRON NET CO., INC
P O BOX 177
TWO RIVERS WI 54241

STOCK NUMBER 61503

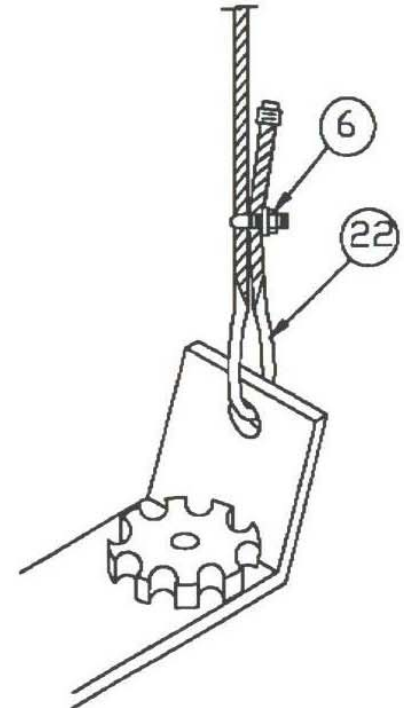
DWG NAME:		INDOOR BASEBALL CAGE	
DRAWN BY:	D#	DATE:	
NDB	31	3/28/00	



UPRIGHT
W/WINCH



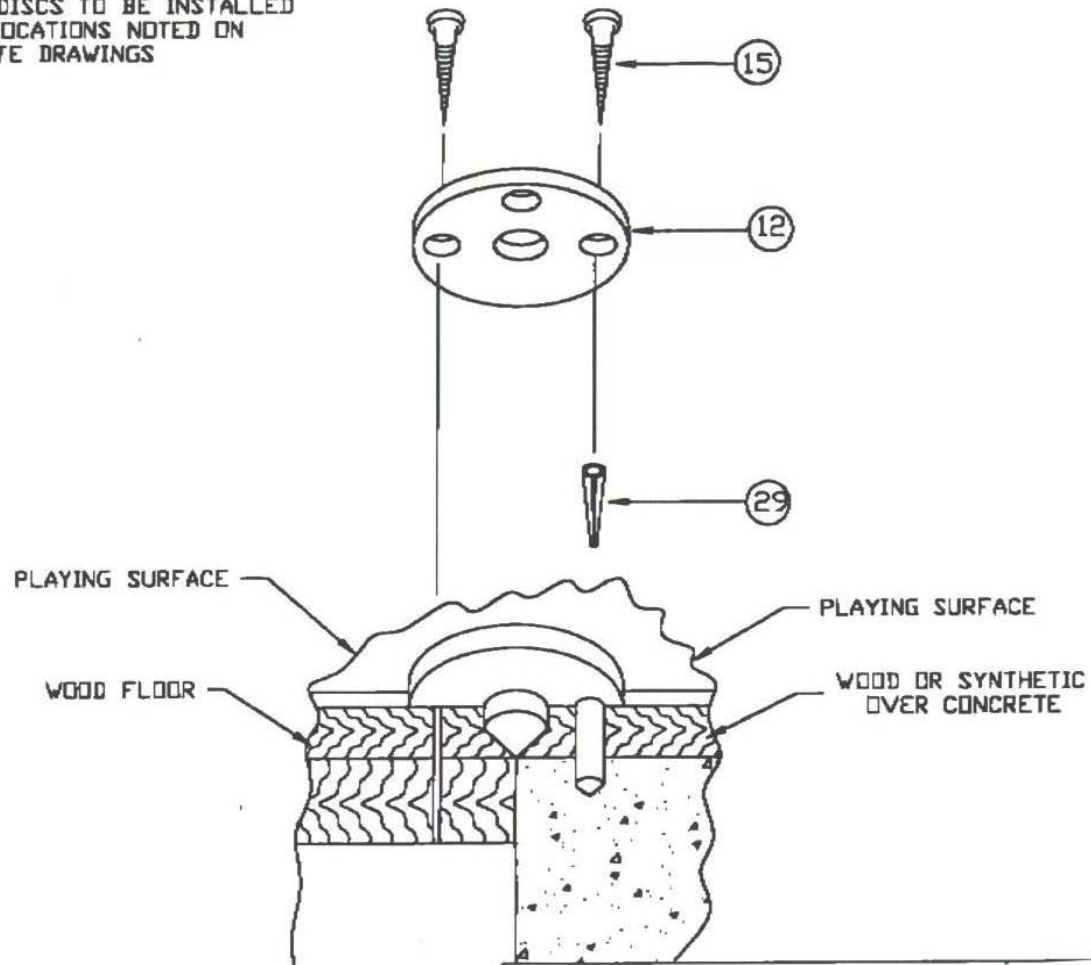
UPRIGHT
W/O WINCH



CARRON NET CO., INC
 P O BOX 177
 TWO RIVERS WI 54241
 STOCK NUMBER 61503

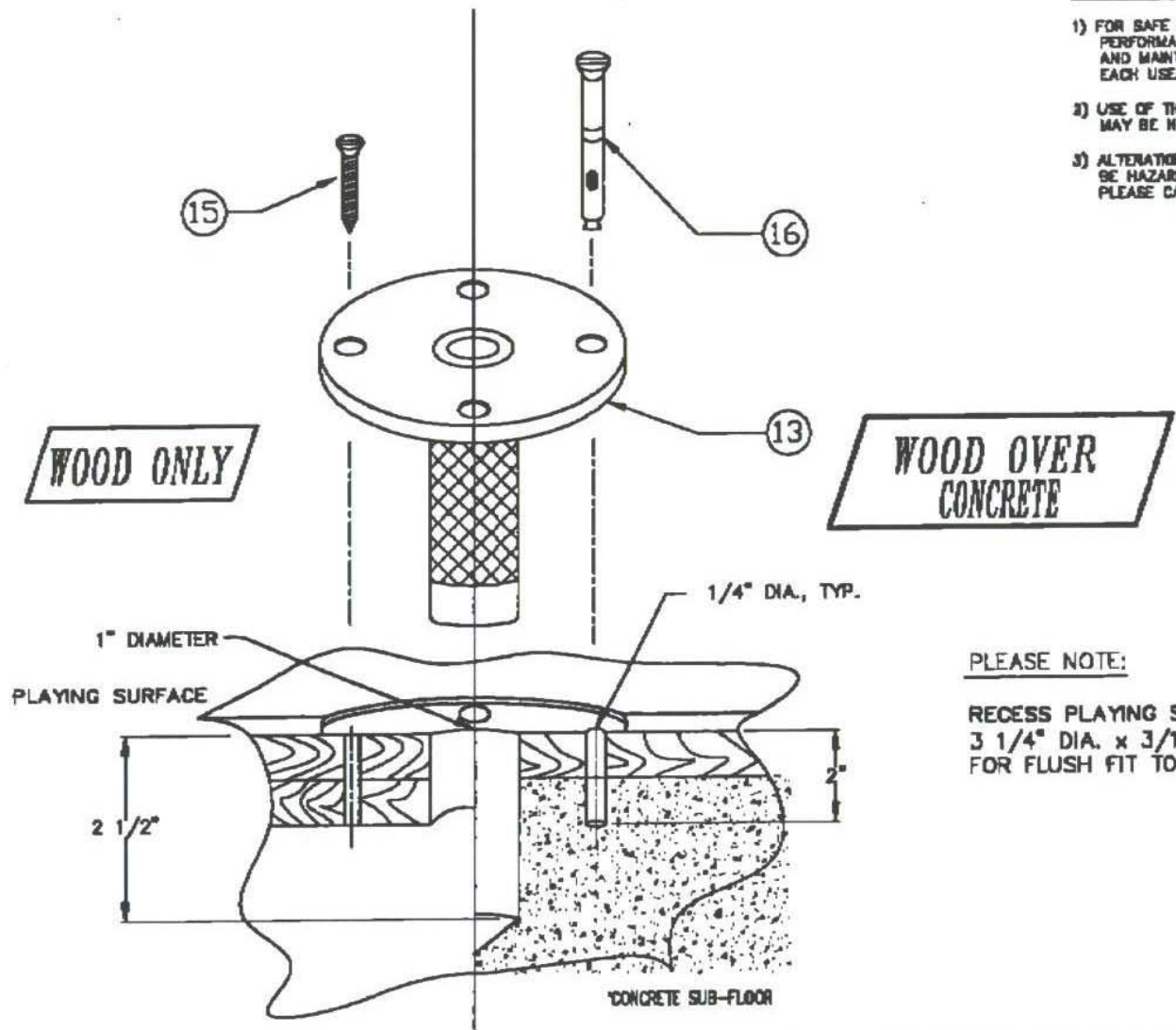
Dwg Name: BASEBALL CAGE		
Dwn By: NDB	D#	DATE: 3/29/00

NOTE
 UPRIGHT PLATE DISCS TO BE INSTALLED
 AT UPRIGHT LOCATIONS NOTED ON
 SEPARATE DRAWINGS



CARRON NET CO., INC
 P O BOX 177
 TWO RIVERS WI 54241
 STOCK NUMBER 61503

DWG. NAME: UPRIGHT PLATE DETAIL		
DWN. BY: NDB	D#	DATE: 3/29/00



PLEASE NOTE:

- 1) FOR SAFE OPERATION AND CONTINUED HIGH PERFORMANCE FROM THIS EQUIPMENT, INSPECTION AND MAINTENANCE MUST BE PERFORMED BEFORE EACH USE.
- 2) USE OF THIS EQUIPMENT OTHER THAN INTENDED, MAY BE HAZARDOUS.
- 3) ALTERATION OR MODIFICATION OF EQUIPMENT MAY BE HAZARDOUS. FOR REPAIR OR REPLACEMENT, PLEASE CALL YOUR DEALER.

PLEASE NOTE:

RECESS PLAYING SURFACE
 3 1/4" DIA. x 3/16" DEEP
 FOR FLUSH FIT TOP PLATE.

CARRON NET CO., INC
 P O BOX 177
 TWO RIVERS WI 54241
 STOCK NUMBER 61503

Dwg. NAME: FLOOR PLATE ASSEMBLY		
Dwn. BY: NDB	D#	DATE: 3/29/00
Dwg. NO:		